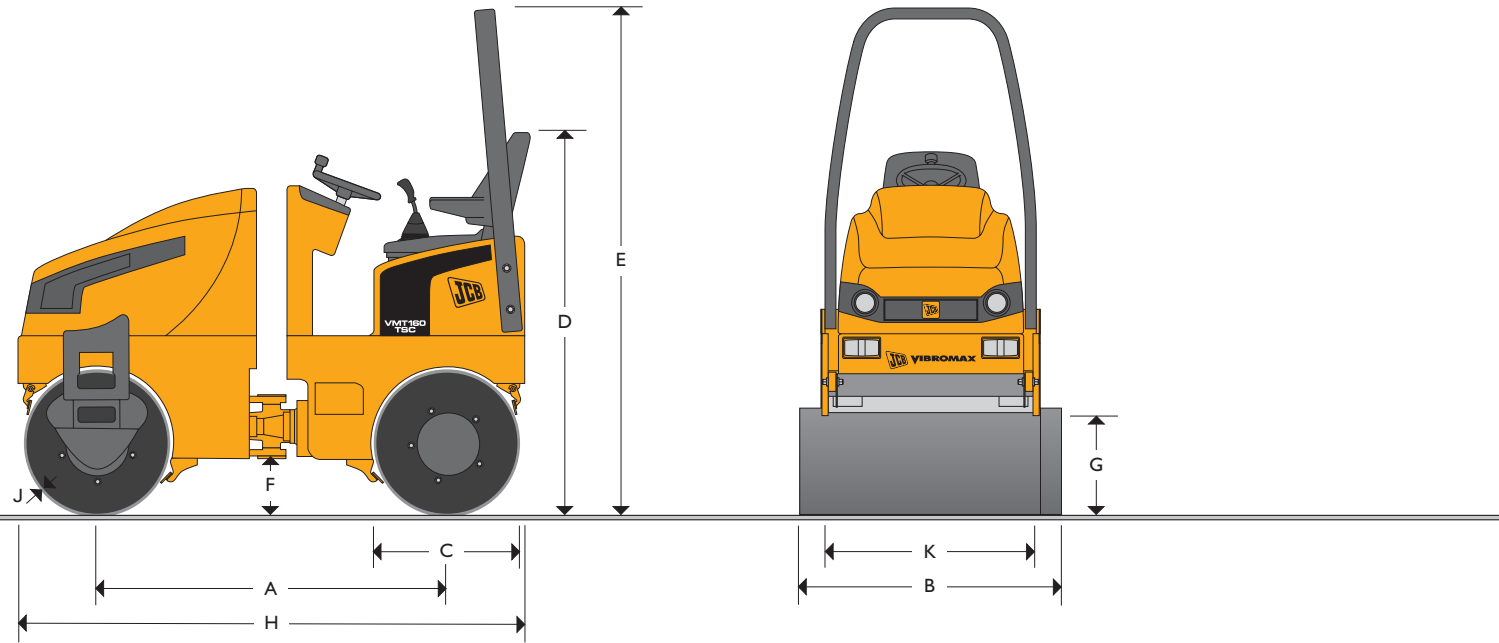




JCB VIBROMAX – COMPACTION EQUIPMENT TANDEM VIBRATORY ROLLER VMT160TSC



DRUM WIDTH:	800mm – 900mm (31.5in – 35.4in)
WORKING WIDTH:	900mm – 1000mm (35.4in – 39.3in) TOTAL SIDE CLEARANCE
OPERATING WEIGHT:	1600kg – 1650kg (3527lb – 3637lb)



STATIC DIMENSIONS

Dimensions in millimetres (in)	VMT160-80TSC	VMT160-90TSC
A Wheelbase	1300 (51.1)	1300 (51.1)
B Overall width = total working width	900 (35.4)	1000 (39.3)
C Drum diameter	580 (22.8)	580 (22.8)
D Height to top of seat	1600 (63)	1600 (63)
E Height to top of ROPS	2320 (91.3)	2320 (91.3)
F Ground clearance	290 (11.4)	290 (11.4)
G Curb clearance	350 (13.8)	350 (13.8)
H Total travel length	2050 (80.7)	2050 (80.7)
J Drum thickness	12 (0.47)	12 (0.47)
K Drum width	800 (31.5)	900 (35.4)

OPERATING DATA

		VMT160-80TSC	VMT160-90TSC
Operating weight	kg	1600	1650
Working width	mm	900	1000
Operating linear load	kg/cm	10	9.2
Exciter frequency	Hz	50 ... 66	50 ... 66
Nominal amplitude	mm	0.5	0.5
Centrifugal force (each drum)	kN	9.2 ... 18	9.2 ... 18
Max. Working speed	km/h	0 ... 9	0 ... 9
Drum offset left / right (manual)	mm	65	65
Steering angle	°	±30	±30
Oscillation angle	°	±8	±8
Inner turning radius	mm	2030	1980
Gradeability with vibration up to	° (%)	17 (30)	17 (30)
Gradeability without vibration up to	° (%)	22 (40)	22 (40)



JCB VIBROMAX – COMPACTION EQUIPMENT TANDEM VIBRATORY ROLLER VMT160TSC



ENGINE

Make	KUBOTA	
Model	D722	
Type	3 cylinder, water-cooled, four-stroke diesel engine	
Piston displacement	cm ³	719
Performance	kW (hp)	14 (19)
Operating speed	min ⁻¹ (rpm)	3600
Starting device	Electric motor	
Air cleaner	Dry cartridge plus safety cartridge	
Fuel filter	Cartridge	
Fuel consumption	l/h	2.5

PROPULSION

Hydrostatic with variable displacement pump and fixed displacement motors with direct drive to both drums = double drum drive.

EXCITER DRIVE

Electrically controlled hydrostatic direct drive on both drums for double vibration or single vibration front or rear, AVC (automatic vibration control).

EXCITER

Single-shaft circular exciter.

STEERING SYSTEM

Servo assisted, maintenance free center articulation with oscillation facility (65 mm manual drum offset), front and rear winching points.

SERVICE CAPACITIES

Fuel	litres	45
Sprinkler water	litres	125

BRAKING SYSTEM

Service brake: Hydrostatic propulsion system.
Parking brake: Hydraulically released brake on both drums (SAHR).

ELECTRICAL SYSTEM

Working lights, backup alarm, safety switch in operators seat.

Voltage	V	12
Battery capacity	Ah	45
Alternator	A	40

SPRINKLER/SCRAPER

Pressurized sprinkling system, Spring loaded retractable scraper (two each drum), changeable nozzles, multiple water filtering.

DRIVERS STAND/INSTRUMENTS

Fuel, battery charging current, sprinkler system, parking brake, hour meter, engine oil pressure, air filter condition, hydraulic oil level and temperature, water level indicator, cup holder, comfortable adjustable operator seat with arm rests.

OPTIONS

ROPS (standard at CE), foldable ROPS, Total Side Clearance (TSC) operation (160-80 & 160-90), sunroof, drum offset, lights for road traffic, flashing beacon, battery isolating switch, central lifting eye.



JCB Vibromax Compaction Equipment GmbH, Schäferberg, 06466 Gatersleben, Germany. Tel: +49 (0) 39482.700. Fax: +49 (0) 39482.70102. Web: <http://www.jcbvibromax.de>

JCB Vibromax America Inc, 2823 Carlisle-Avenue, Racine, WI, 53404, USA. Tel: +1 262-637-8111. Fax: +1 262-637-8211.

JCB Vibromax Singapore, Representative Office, 72 Pasir Ris Heights, Singapore 519279. Tel: +65 6583 8297. Tel: +65 6583 8301.

JCB reserves the right to change specifications without notice. Illustrations shown may include optional equipment and accessories. The JCB logo is a registered trademark of J C Bamford Excavators Ltd.

Printed in the UK on paper made from sustainable forests. The pulp used in the manufacture of this paper is made from renewable timber produced on a fully sustainable basis, and is bleached without the use of chlorine gas (ECF – Elemental Chlorine Free). This paper is suitable for recycling.



9999/5301 3/07 Issue 1

A Product
of Hard Work